

THIS DRAWING IS UNPUBLISHED.

RELEASED FOR PUBLICATION

ALL RIGHTS RESERVED.

© COPYRIGHT - By -

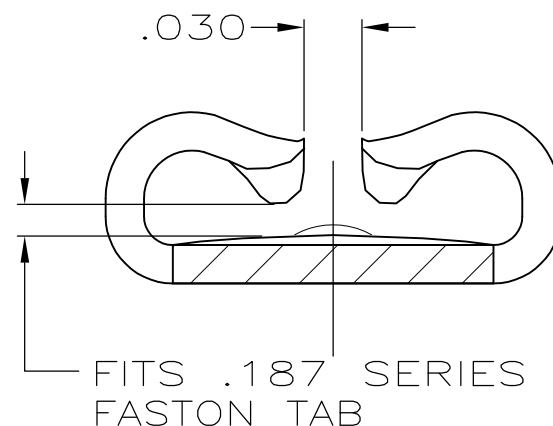
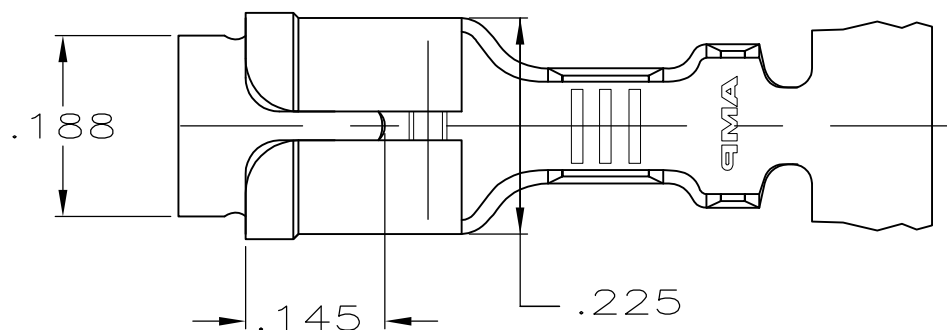
LOC
AF

DIST
50

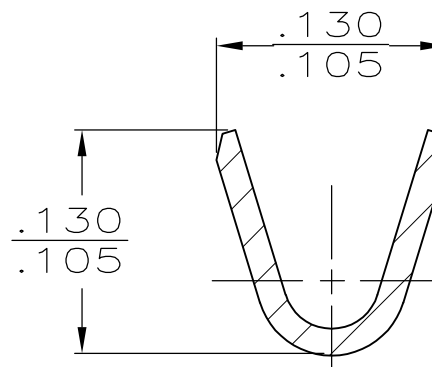
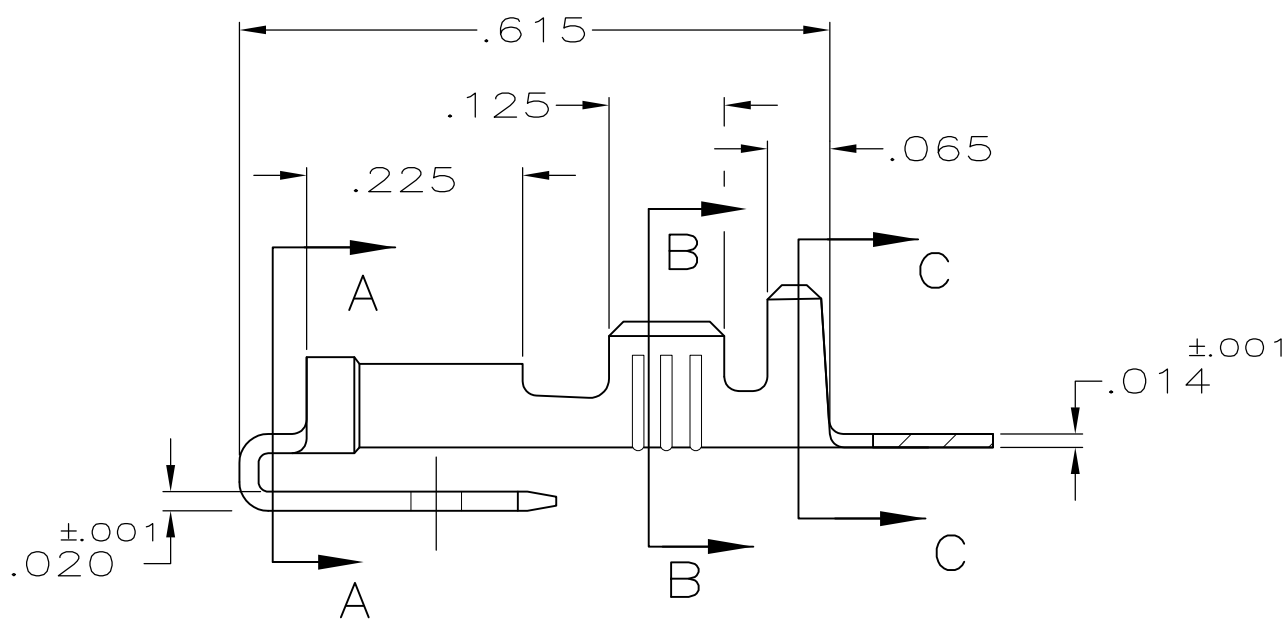
REVISIONS

P	LTR	DESCRIPTION	DATE	DWN	APVD
	F	REVISED PER ECR-12-013459	28NOV2012	KH	PD

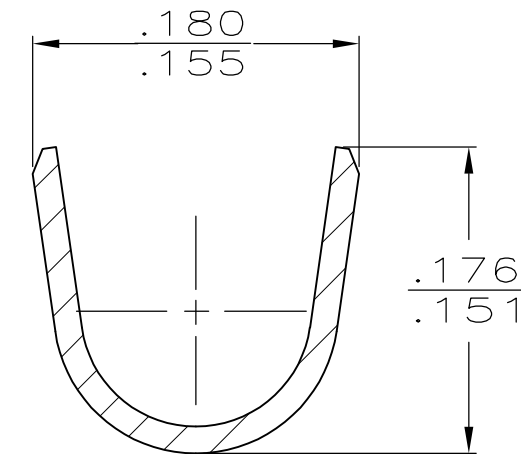
1 CONTINUOUS STRIP ON REELS.



SECTION A-A
SCALE 10:1




SECTION B-B
SCALE 10:1



SECTION C-C
SCALE 10:1

.090-.130	20-16	-	.020	62026-2
		TIN		62026-1
INSULATION RANGE	WIRE SIZE	FINISH	MATING TAB THK ±.001	PART NO

THIS DRAWING IS A CONTROLLED DOCUMENT.		DWN JR RUTH 9/18/90	 TE Connectivity RECEPTACLE & TAB, FASTON, PIGGYBACK, .187 SERIES				
DIMENSIONS: INCHES		CHK P FORTNEY 9/18/90				NAME	
TOLERANCES UNLESS OTHERWISE SPECIFIED:		APVD C MEYERS 9/18/90				PRODUCT SPEC	
0 PLC ± - 1 PLC ± - 2 PLC ± - 3 PLC ± .015 4 PLC ± - ANGLES ± -		APPLICATION SPEC					
MATERIAL BRASS	FINISH SEE TABLE	WEIGHT -	SIZE A3	CAGE CODE 00779	DRAWING NO C-62026		
CUSTOMER DRAWING			SCALE 5:1	SHEET 1 OF 1	REV F		